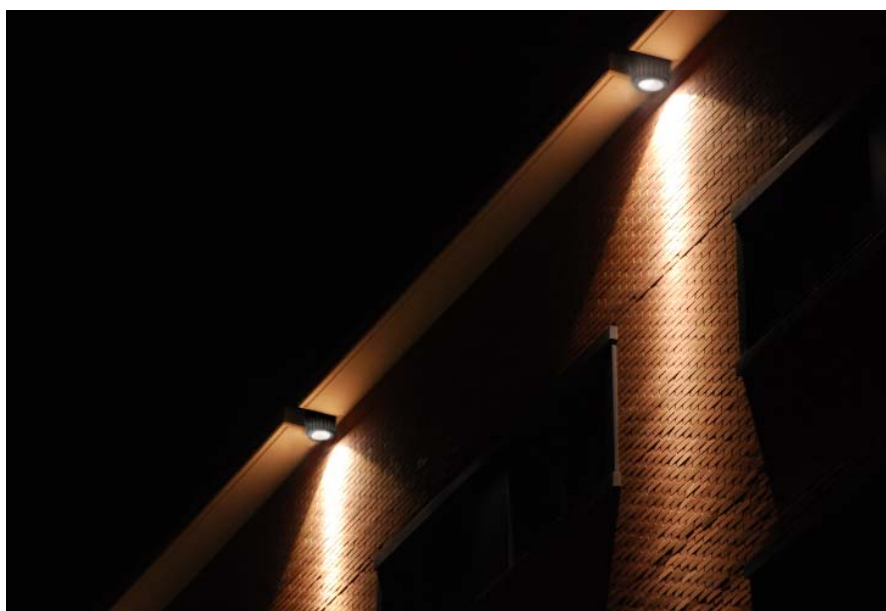
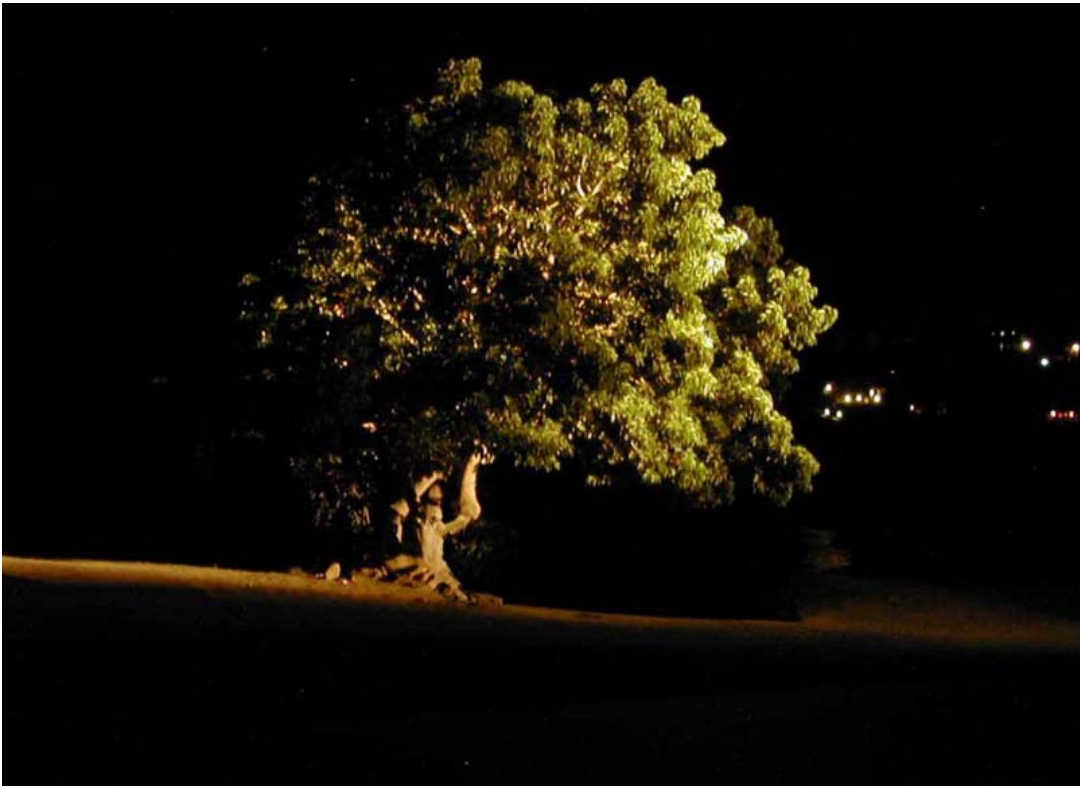


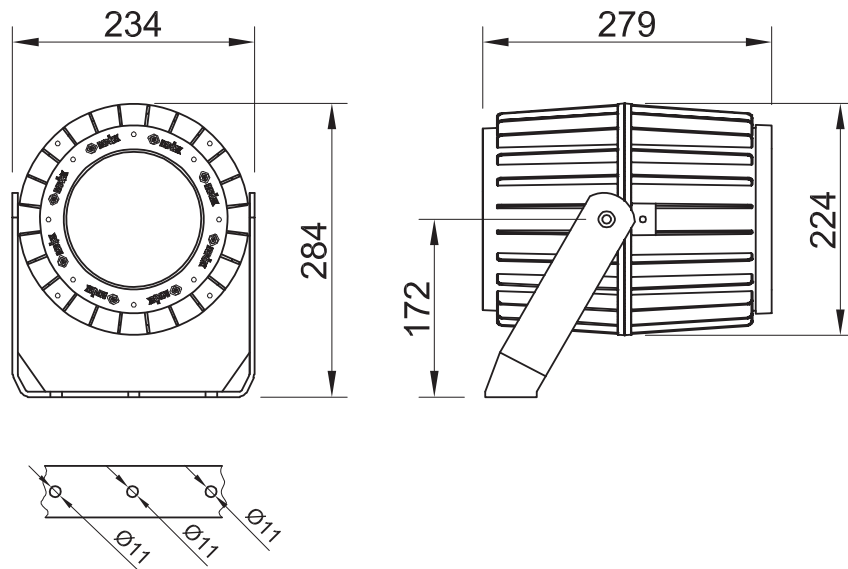
VERSA®



The VERSA Floodlight by Nordex® has a variety of applications such as architectural lighting, garden lighting, building facades, and indoor or outdoor environments.







Body and frame: die-cast aluminium alloy polyester powder coated (RAL 9007).

Front glass: Thermally toughened 4 mm. flat glass.

Reflector: high purity aluminium.

Screws: stainless steel AISI 304.

Gaskets: antiageing, tropicalised and weather resistant silicon rubber.

Bracket: galvanised steel polyester powder coated (RAL 9007).

Socket: G12.

Electrical accessories: removable pre-wired galvanised gear tray.

Electrical insulation class: I

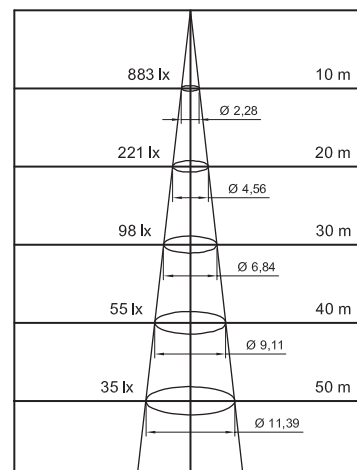
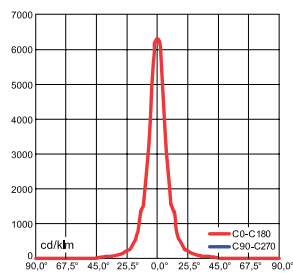
Protection degree: IP 66

Designed in accordance with the standard EN 60598-1.

VERSA

FLAT GLASS	WIRING	LAMP	LAMPHOLDER	WEIGHT KG.
NX4060	EMPTY		G12	4,35
NX4070	70W HQI		G12	5,75
NX4015	150W HQI		G12	6,55

Versa 150w



VERSA[®]

